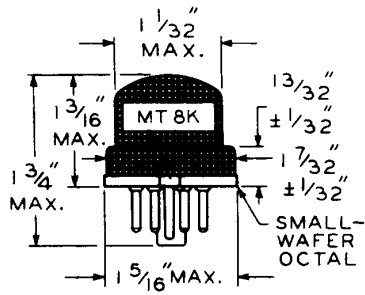


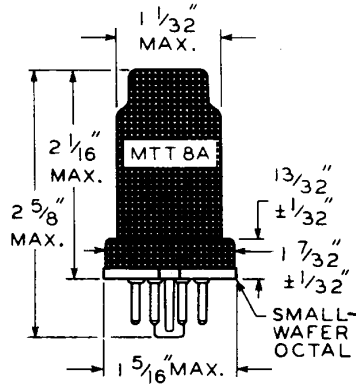


OUTLINES—Metal Tubes

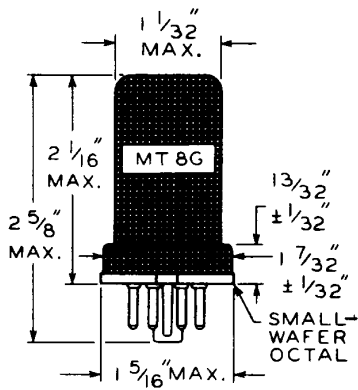
For correlation of
TUBE TYPE, ENVELOPE DESIGNATION, & OUTLINE No.,
see KEY on back of this sheet



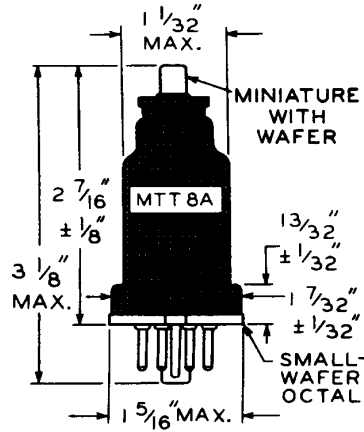
JETEC No.8-5



JETEC No.8-3



JETEC No.8-1

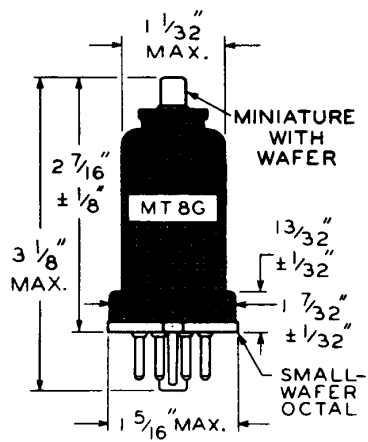


JETEC No.8-4

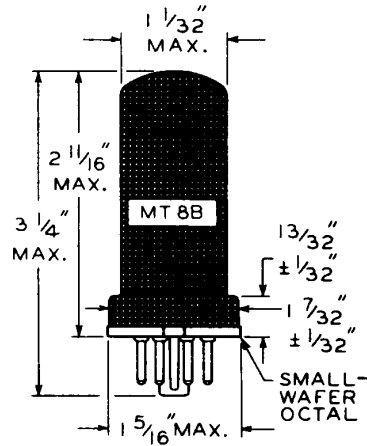


OUTLINES—Metal Tubes

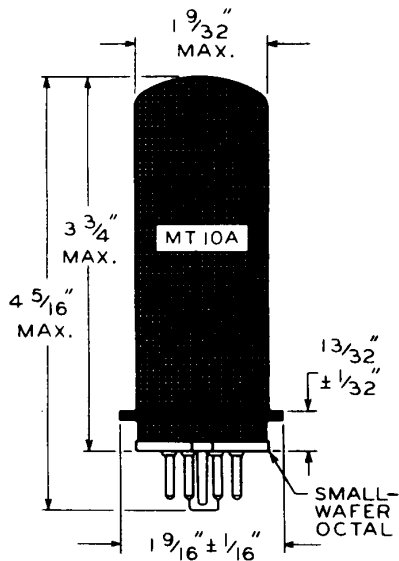
For correlation of
TUBE TYPE, ENVELOPE DESIGNATION, & OUTLINE No.,
see KEY on back of this sheet



JETEC No. 8-2



JETEC No. 8-6



JETEC No. 10-1



OUTLINES - Metal Tubes

KEY

Type No.	Envelope Designation	Outline Jetec No.	Type No.	Envelope Designation	Outline Jetec No.
0Z4	MTT8A	8-3	6ST7	MT8G	8-1
5T4	MT10A	10-1	6SZ7	MT8G	8-1
5W4	MT8B	8-6	6V6	MT8B	8-6
5Z4	MT8B	8-6	6X5	MT8B	8-6
6A8	MTT8A	8-4	12A6	MT8B	8-6
6AB7	MT8G	8-1	12C8	MTT8A	8-4
6AC7	MT8G	8-1	12H6	MT8K	8-5
6AG7	MT8B	8-6	12K8	MT8G	8-2
6B8	MTT8A	8-4	12SA7	MT8G	8-1
6C5	MT8G	8-1	12SC7	MT8G	8-1
6F5	MTT8A	8-4	12SF5	MT8G	8-1
6F6	MT8B	8-6	12SF7	MT8G	8-1
6H6	MT8K	8-5	12SG7	MT8G	8-1
6J5	MT8G	8-1	12SH7	MT8G	8-1
6J7	MTT8A	8-4	12SJ7	MT8G	8-1
6K7	MTT8A	8-4	12SK7	MT8G	8-1
6K8	MT8G	8-2	12SQ7	MT8G	8-1
6L6	MT10A	10-1	12SR7	MT8G	8-1
6L7	MTT8A	8-4	12SW7	MT8G	8-1
6N7	MT8B	8-6	12SY7	MT8G	8-1
6Q7	MTT8A	8-4	25A6	MT8B	8-6
6R7	MTT8A	8-4	25L6	MT8B	8-6
6S7	MT8G	8-2	25Z6	MT8B	8-6
6SA7	MT8G	8-1	502-A	MT8G	8-1
6SB7-Y	MT8G	8-1	1611	MT8B	8-6
6SC7	MT8G	8-1	1612	MTT8A	8-4
6SF5	MT8G	8-1	1613	MT8B	8-6
6SF7	MT8G	8-1	1614	MT10A	10-1
6SG7	MT8G	8-1	1619	MT10A	10-1
6SH7	MT8G	8-1	1620	MTT8A	8-4
6SJ7	MT8G	8-1	1621	MT8B	8-6
6SK7	MT8G	8-1	1622	MT10A	10-1
6SQ7	MT8G	8-1	1631	MT10A	10-1
6SR7	MT8G	8-1	1632	MT8B	8-6
6SS7	MT8G	8-1	1634	MT8G	8-1
			5693	MT8G	8-1