



2K56

2K56 KLYSTRON

SINGLE-RESONATOR, REFLEX TYPE
Frequency: 3840 to 4460 Mc.

GENERAL DATA

Electrical:

Heater, for Unipotential Cathode:

Voltage	6.3 ± 0.5	ac or dc volts
Current	0.44	amp
Frequency Range	3840 to 4460	Mc

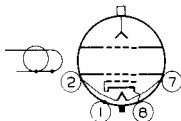
Mechanical:

Mounting Position	Any
Dimensions, Terminal Connections, and Mechanical Tuning Mechanism	See Outline Drawing
Resonant Cavity	Integral Part of Tube
Envelope	Metal
Cap.	Miniature with Wafer
Base	Small-Wafer Octal 4-Pin with Pin No.4 replaced by Coaxial Output Line

BOTTOM VIEW

Pin 1 - Shell,
Resonator

Pin 2 - Heater



Pin 7 - Heater
Pin 8 - Cathode

Cap - Reflector
Terminal

NOTE: COAXIAL OUTPUT LINE PASSES THROUGH
VACANT PIN POSITION NO.4

CW OSCILLATOR - Class C

Maximum Ratings, Absolute Values:

DC RESONATOR VOLTAGE	330 max.	volts
DC REFLECTOR VOLTAGE:		
Positive Value	0 max.	volts
Negative Value	400 max.	volts
DC RESONATOR CURRENT	37 max.	ma
PEAK HEATER-CATHODE VOLTAGE:		
Heater negative with respect to cathode.	50 max.	volts
Heater positive with respect to cathode.	50 max.	volts
AMBIENT TEMPERATURE OF SHELL	110 max.	°C
TEMPERATURE OF COAXIAL OUTPUT LINE	90 max.	°C

Typical Operation [□] at 4150 Mc in Mode "A"

with 1" x 2" Wave Guide

DC Resonator Voltage	300	volts
DC Reflector Voltage Range [▲]	-85 to -150	volts
DC Resonator Current	25	ma
DC Reflector Current	less than 7	µa

(continued on next page)

□, ▲: See next page.

2K56



2K56 KLYSTRON

Half-Power Electronic-Tuning

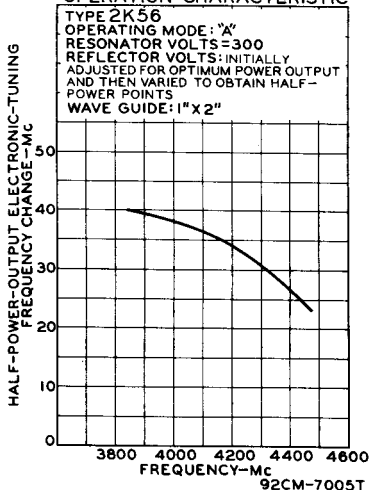
Frequency Change [■]	35	Mc
Power Output	90	mw

- ▲ Adjusted for maximum power output at the given operating frequency.
- Change in frequency between the two half-power points when the reflector voltage is varied above and below the point of maximum power output corresponding to the given frequency.
- The coaxial output line is coupled to the specified wave guide through the wide-band coaxial coupling unit shown on the following pages.

INSTALLATION and OPERATING NOTES for the 2K56 are the same as those shown for the 2K26, except that consideration should be given to the different coupling unit and wave guide required for the 2K56.

OUTLINE DIMENSIONS for Type 2K56 are the same as those for Type 2K26

OPERATION CHARACTERISTIC



NOV. 15, 1948

TUBE DEPARTMENT
 RADIO CORPORATION OF AMERICA, HARRISON, NEW JERSEY

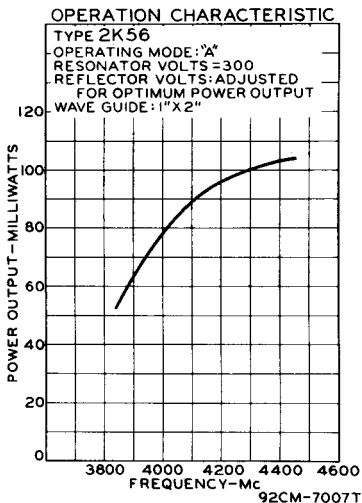
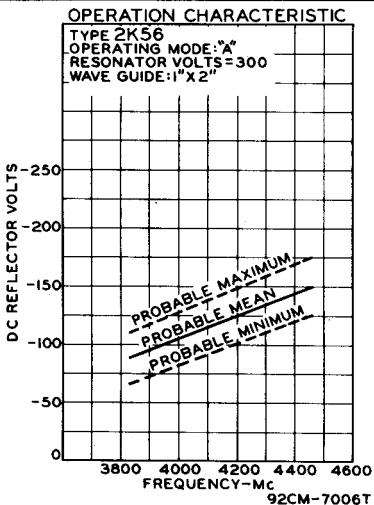
CE-7005T



2K56

KLYSTRON

2K56



NOV. 15, 1948

TUBE DEPARTMENT
RADIO CORPORATION OF AMERICA, HARRISON, NEW JERSEY

CE-7006T-7007T

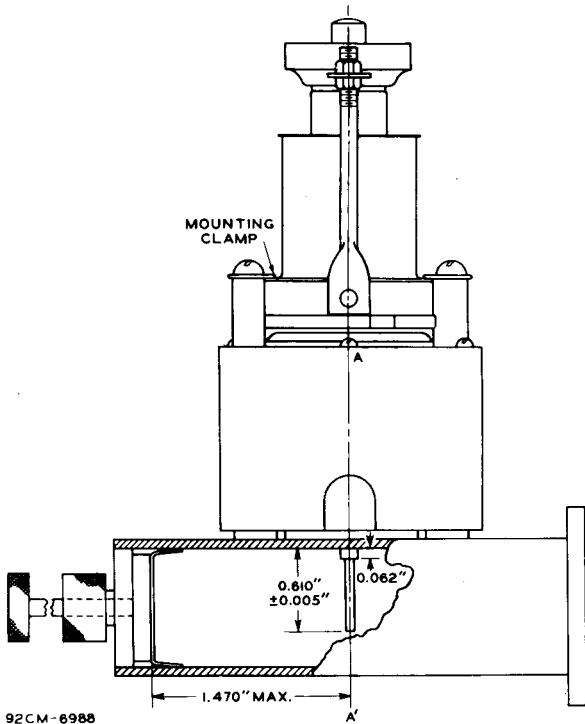
2K56



2K56 KLYSTRON

COUPLING ARRANGEMENT

*RCA-2K56 Coupled to a 1" x 2" Wave Guide
Through a Coaxial Transducer Coupling
Circuit*



NOV. 15, 1948

TUBE DEPARTMENT
RADIO CORPORATION OF AMERICA, HARRISON, NEW JERSEY

CE-6988VA



2K56

KLYSTRON

2K56

COUPLING ARRANGEMENT (Cont'd)

