



3B25

3B25

HALF-WAVE GAS RECTIFIER

GENERAL DATA

Electrical:

Filament, Coated:

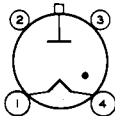
Voltage	2.5 ± 5%	ac volts
Current at 2.5 volts.	5	amp
Minimum heating time at rated voltage.	15	sec

Mechanical:

Operating Position.	Any
Maximum Overall Length.	6-5/16"
Seated Length.	5-1/4" ± 7/16"	
Maximum Diameter.	2-1/16"
Weight (Approx.).	3 oz
Bulb.	T16
Cap.	Medium (JETEC No. C1-5)
Base.	Medium-Shell Small 4-Pin with Bayonet (JETEC No. A4-10)

Basing Designation for BOTTOM VIEW. 4P

- Pin 1 - Filament
- Pin 2 - No Connection
- Pin 3 - No Connection



- Pin 4 - Filament,
Cathode
Shield
- Cap - Anode

HALF-WAVE RECTIFIER

Maximum Ratings, Absolute Values:

For anode-supply frequencies up to 500 cps

PEAK INVERSE ANODE VOLTAGE.	4500 max.	volts
ANODE CURRENT:		
Peak.	2 max.	amp
Average*.	0.5 max.	amp
Fault, for duration of 0.1 second maximum.	20 max.	amp
AMBIENT-TEMPERATURE RANGE	-75 to +90	°C

CHARACTERISTICS RANGE VALUES[#] FOR EQUIPMENT DESIGN

	Note	Min.	Max.	
Filament Current.	1	4.6	5.4	amp
Critical Anode Voltage.	2	-	110	volts
Peak Tube Voltage Drop.	3	-	14	volts

- Note 1: With 2.5 volts rms on filament.
- Note 2: With 2.38 volts rms on filament.
- Note 3: With 2.5 volts rms on filament, peak anode current of 2 amperes provided by half-cycle pulse from a 60-cps sine wave and recurring approximately once a second. Tube drop is measured by an oscilloscope connected between anode and center-tap of filament transformer.

* # : See next page. ← Indicates a change.

3B25



3B25

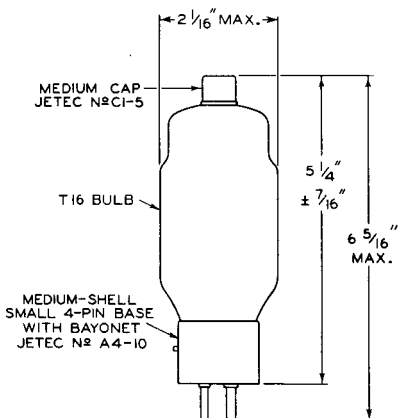
HALF-WAVE GAS RECTIFIER

* Averaged over any period of 30 seconds maximum.

Throughout tube life.

OPERATING CONSIDERATIONS

If the *anode return* of each tube is not connected to the center-tap of the filament-supply winding, the return should be made to that side of the filament to which the cathode shield is connected.



92CM-6555R3



3B25

3B25

HALF-WAVE GAS RECTIFIER

For Circuit Figures, see Front of this Section

CIRCUIT	MAX. TRANS. SEC. VOLTS (RMS) E	APPROX. DC OUTPUT VOLTS TO FILTER E_{av}	MAX. DC OUTPUT AMPERES I_{av}	MAX. DC OUTPUT KW TO FILTER P_{dc}		
Fig. 1 Half-Wave Single-Phase In-Phase Operation	3100	1400	0.5	0.7		
Fig. 2 Full-Wave Single-Phase In-Phase Operation	1500	1400	1.0	1.4		
Fig. 3 Series Single-Phase In-Phase Operation	3100	2900	1.0	2.9		
Fig. 4 Half-Wave Three-Phase In-Phase Operation	1800	2200	1.5	3.3		
Fig. 5 Parallel Three-Phase Quadrature Operation	1800	2200	3.0	6.6		
Fig. 6 Series Three-Phase Quadrature Operation	1800	4300	1.5	6.4		
Fig. 7 Half-Wave Four-Phase Quadrature Operation	1500	2000	Resis- tive Load 1.8	Induc- tive Load 2.0	Resis- tive Load 3.6	Induc- tive Load 4.0
Fig. 8 Half-Wave Six-Phase Quadrature Operation	1500	2200	Resis- tive Load 1.9	Induc- tive Load 2.0	Resis- tive Load 4	Induc- tive Load 4.4