



575-A

575-A

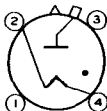
HALF-WAVE MERCURY-VAPOR RECTIFIER

The 575-A is the same as the 673 except for the following items:

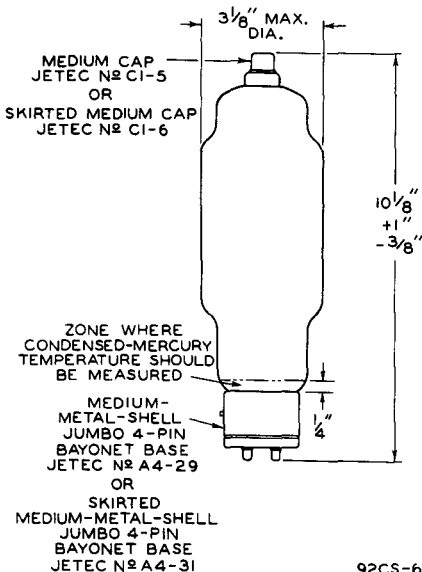
Mechanical:

- Overall Length 10-1/8" + 1" - 3/8" ←
 - Maximum Diameter 3-1/8" ←
 - Weight (Approx.) 10.8 oz ←
 - Cap. Medium (JETEC No.C1-5), or ←
Skirted Medium (JETEC No.C1-6) ←
 - Base Medium-Metal-Shell Jumbo 4-Pin ←
with Bayonet (JETEC No.A4-29), or
Skirted Medium-Metal-Shell Jumbo 4-Pin
with Bayonet (JETEC No.A4-31)
- Basing Designation for BOTTOM VIEW 4AT

- Pin 1 - No Connection
- Pin 2 - Filament, Cathode Shield



- Pin 3 - No Connection
- Pin 4 - Filament Cap - Anode



92CS-6654R2

← indicates a change.